

APPLICATIONS

- 2 sided mobile cold food bar for self-service applicatons
- Small size makes it easy to move and locate in the store.
- Drop down tray slides allow configuration in tight store isles.
- Medium temperature (36°-40°)
- Self-contained refrigeration

STANDARD FEATURES

CABINET CONSTRUCTION

- Base - Metal frame construction
- Exterior - Stainless steel panels
- Stainless steel cold well with galvanized steel underneath exterior
- Stainless steel corner protectors

CANOPY

- Stainless Steel frame with solid top
- Lift-up tempered glass sneeze guard
- LED lighting

REFRIGERATED COLD ZONES

- Self-contained refrigeration
- Condensate drains to floor drain
- Cold well adapter bars allow for a variety of pan configurations.
- Digital readout thermometer

-Air Over Cold Well

- Rated at 650 BTUs per full inset pan
- Energy saving Axial fan reduces electrical running cost by up to 80%

ELECTRICAL REQUIREMENTS

- Unit supplied with 6' cord with 30 amp plug (see reverse side for details)

WARRANTY

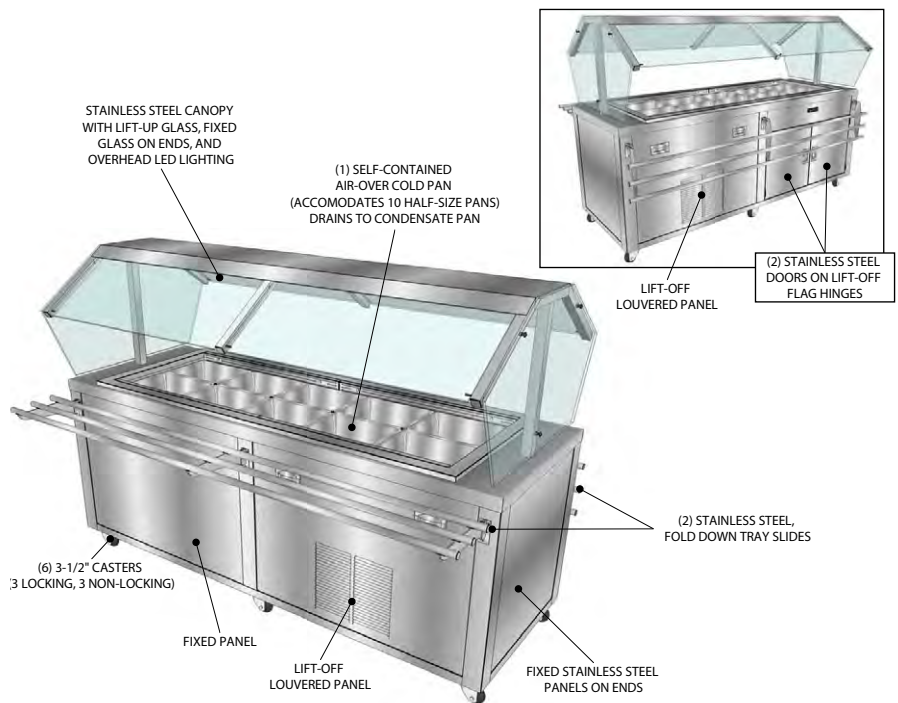
- One year - Parts and Labor

OPTIONS/ACCESSORIES

- Optional condensate removal device available to eliminate need for plumbing.
- Bar packages can provide inset pans, lids, tongs, ladles, serving spoons and salad dressing templates.



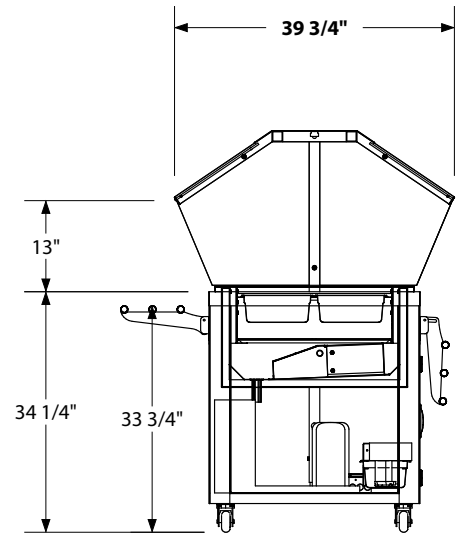
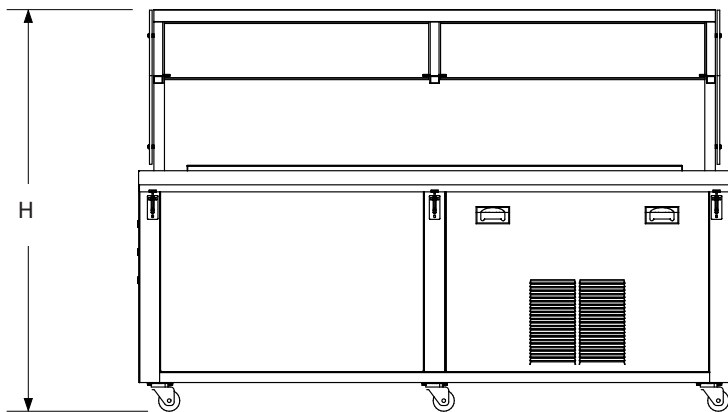
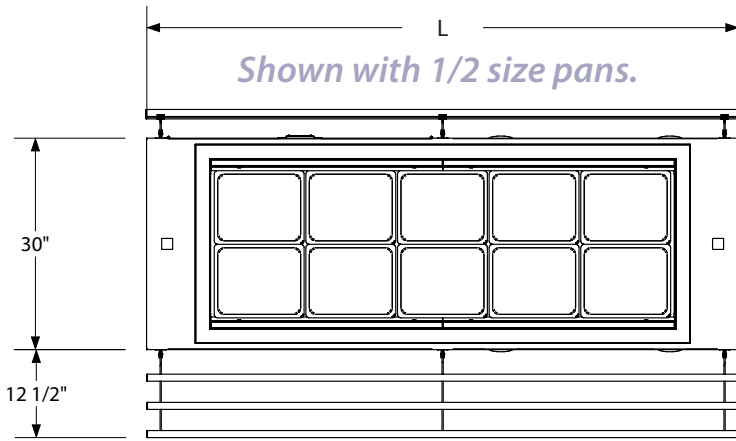
Works as either a salad or olive bar by changing pan sizes and configurations. Adaptor bars and several sizes of pans are available.



Engineered for stores with ambient conditions not to exceed 75°F and 55% relative humidity. Due to continuous improvements specifications may change without notice.

Built to meet the following specifications:





Unit Length	# of 12"x20" Pans	Dimensions (inches) (Both Tray Slides Up)			Air-Over Cold Pan BTUH @15° F EVAP
		L	W	H	
7'	5	84	55	57	3250

ELECTRICAL/REFRIGERATION SPECIFICATIONS (BASED ON 7' UNIT WITH AIR-OVER REFRIGERATION)

ELECTRICAL REQUIREMENTS - 6' CORD SUPPLIED WITH 30 AMP PLUG

QTY	DESCRIPTION	MANUFACTURER	MODEL #	VOLTAGE	AMPS EA	AMPS TOTAL
1	CONDENSING UNIT	TECUMSEH	9440	120	10.5	10.5
3	COIL FANS	BOHN	N/A	120	.8	2.4
2	LED LIGHTS	ELECTRALED	EFDE-3-36-3500	120	0.14	0.28
TOTAL ELECTRICAL REQUIRED IS 120/208 V, 60 Hz, 1 PH						13.2