

Refrigerated High Profile Grab-N-Go Merchandiser

R-GNG-HPRO-3, R-GNG-HPRO-4, R-GNG-HPRO-6

APPLICATIONS

- Self-service merchandiser for packaged deli items/sandwiches.
- Impulse sales
- Add ons
- Forced air refrigeration
- Medium temperature (36°- 40°)

STANDARD FEATURES

CABINET CONSTRUCTION

- Galvanized steel frame construction
- Finished in high pressure plastic laminate
- Stainless steel interior
- Solid or Glass end panels

SHELVING

- 4 Removeable shelves with ticket molding
- Adjustable to 3 angled positions
- Removable stainless steel deck pans
- LED lights illuminate shelf area below

REFRIGERATION SYSTEM

- Self-contained system
- Condensate removal through a floor drain
- Energy saving EC motor
- Automatic self defrost
- Solar thermometer and refrigeration control on front of unit

ELECTRICAL REQUIREMENTS

- Pre-wired to 6' Cord NEMA 14-20P Plug (see reverse for details)

WARRANTY

- One year - Parts and Labor

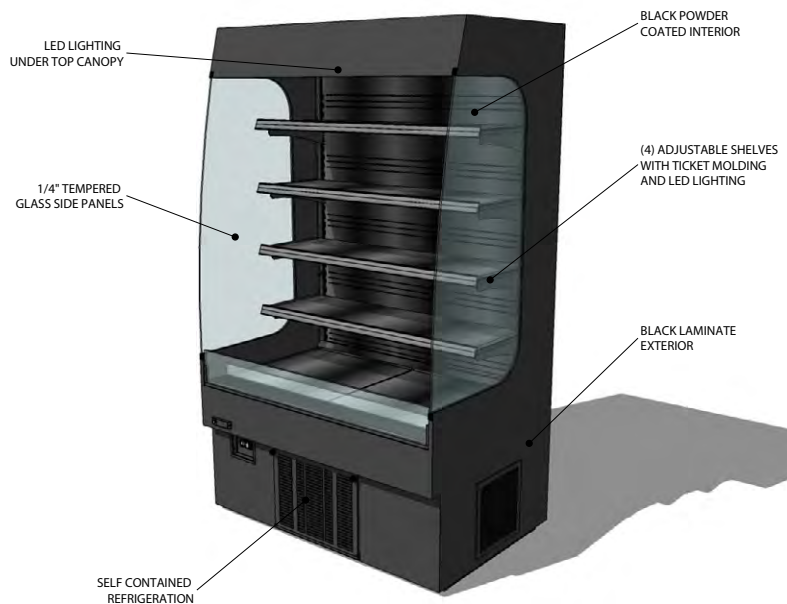
OPTIONS / ACCESSORIES

- Many other laminate finishes available
- Assorted colors for vinyl bumper
- Mirrored, stainless steel interior end panels
- Black Powder Coat interior
- Pull down night curtain keeps cold air inside to save energy
- Optional condensate removal devices available to eliminate need for plumbing.
- Remote refrigeration
- Casters with skirting. Adds 4" to overall height of unit

Optional Night Curtain pulls down to conserve energy.

Glass End Panels provide 180° visibility.

(Shown with optional finish)

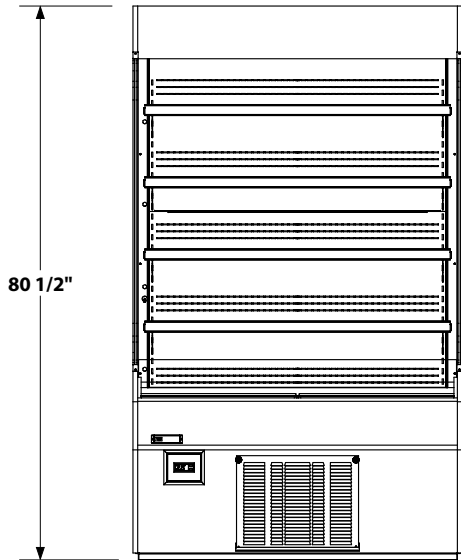


Engineered for stores with ambient conditions not to exceed 75°F and 55% relative humidity. Due to continuous improvements specifications may change without notice.

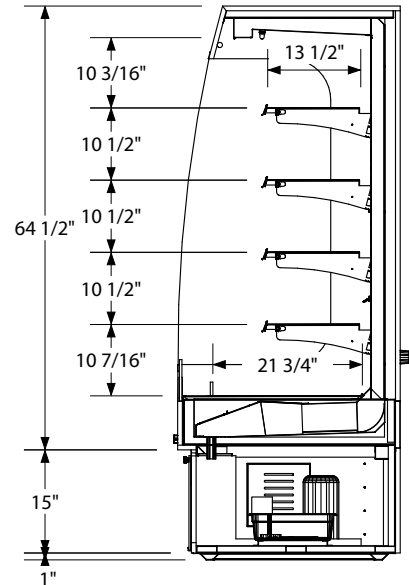
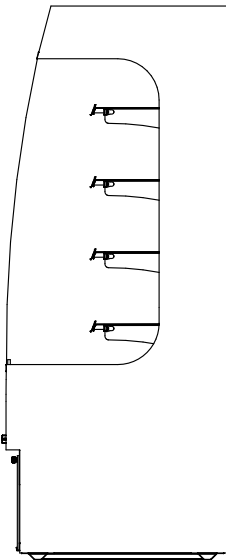
Built to meet the following specifications:



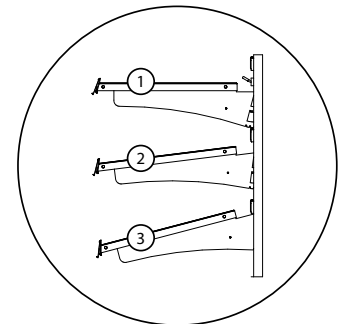
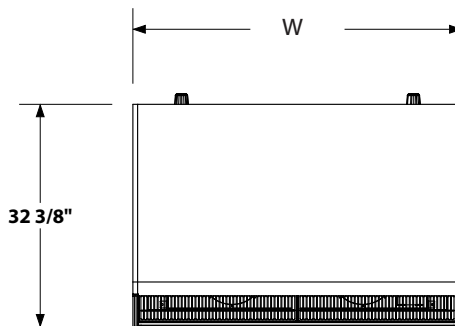
Front View



Side View



Top View



Shelves adjust to 3 different angled positions

Unit Width	Dimensions (inches)		
	W	D	H
3'	36	32 1/2	80 1/2
4'	48	32 1/2	80 1/2
6'	72	32 1/2	80 1/2

ELECTRICAL/REFRIGERATION SPECIFICATIONS - (BASED ON A 48" UNIT)

ELECTRICAL REQUIREMENTS - ON 6' CORD NEMA 14-20F PLUG

QTY	DESCRIPTION	MANUFACTURER	MODEL #	VOLTAGE	AMPS EA	AMPS TOTAL
1	CONDENSING UNIT	TECUMSEH	AKA9480ZDXC	208	10.3	10.3
1	DIGITAL TEMP CONTROL	DIXELL	XR20C	120	0.025	0.025
2	FAN	EBM PAPST	W1G2C0-EC95-Y7	120	0.17	0.34
5	LIGHTS	ELECTRALED	RFDS-4-3500	120	0.04	.20
TOTAL ELECTRICAL REQUIRED IS 120/208 V, 60 Hz, 1 PH						11.32

REFRIGERATION SPECS

QTY	DESCRIPTION	MANUFACTURER	MODEL #	BTU'S EA.	EVAP TEMP	REF. TYPE/OZ.
1	AIR OVER DISPLAY	R&D FIXTURES	N/A	7200	+20°	404-A