

APPLICATIONS

- Self-service merchandiser for packaged deli items/sandwiches/salads/soft drinks
- Impulse sales
- Add ons
- Forced air refrigeration
- Medium temperature (36°-40°)

STANDARD FEATURES

CABINET CONSTRUCTION

- Steel frame construction
- Top section - 3/4" plywood panels finished in high pressure plastic laminate
- Bottom section - black powder coat
- Powder coated steel interior
- 3-1/2" Swivel Casters
- 1 row of protective 1" bumper
- Removable stainless steel deck pans

REFRIGERATION SYSTEM

- Self-contained system
- Condensate removal through a floor drain
- Solar thermometer and refrigeration control on front of unit

ELECTRICAL REQUIREMENTS

- Unit is ready to accept 120V, 60Hz, 1Phase circuite cord set. (see reverse for details)

WARRANTY

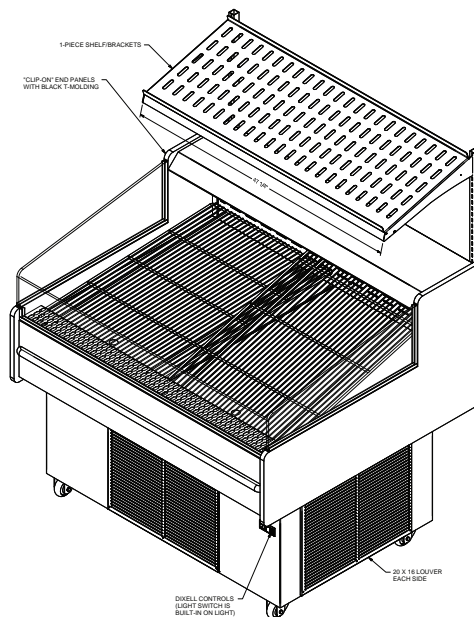
- One year - Parts and Labor

OPTIONS / ACCESSORIES

- Many other laminate and powder coat colors available
- Night covers available
- Ticket Molding
- Stainless Steel interior
- Optional condensate removal devices available to eliminate need for plumbing.
- Optional Dry Shelf available with LED lights to illuminate shelf area below



Above: 4' standard model with optional dry shelf
 Insert shows unit optional laminate and powder coat color



2' standard model with dry shelf



4' model with dry shelf

Engineered for stores with ambient conditions not to exceed 75°F and 55% relative humidity. Due to continuous improvements specifications may change without notice.

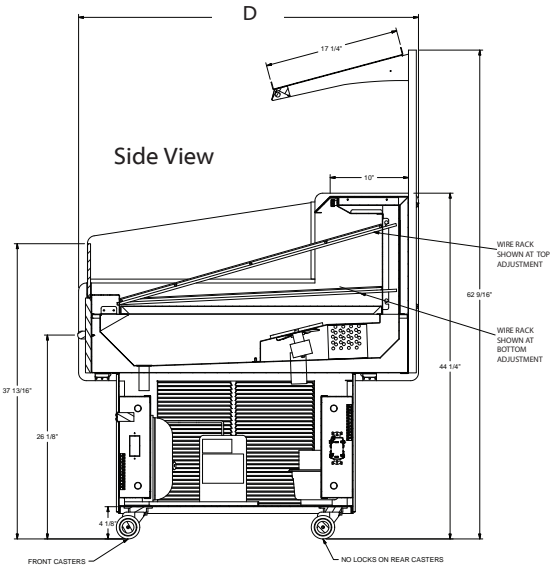
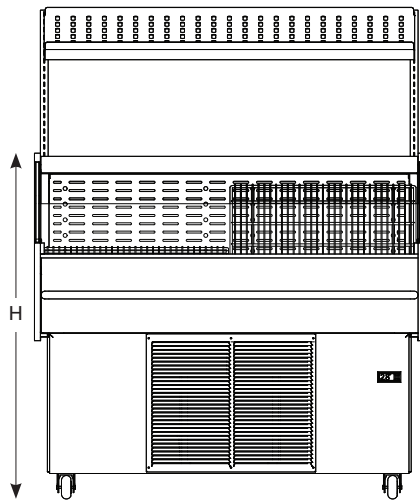
Built to meet the following specifications:



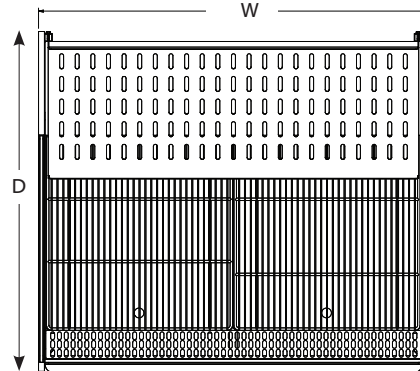
Refrigerated Low Profile Mobile Merchandiser

R-MB-MR-LPRO-2, R-MB-MR-LPRO-4, R-MB-MR-LPRO-6

Front View



Top View



Unit Length	Dimensions (inches)		
	W	D	H
2'	24	44 1/4	44 1/2
4'	48	44 1/4	44 1/2
6'	73 7/8	44 1/4	44 1/2

Height noted here does not include optional dry shelf.
 Height with dry shelf is 62-9/16".

ELECTRICAL/REFRIGERATION SPECIFICATIONS - BASED ON 48" UNIT

ELECTRICAL REQUIREMENTS - ON 6' CORD NEMA 14-20F PLUG			
QTY	DESCRIPTION	VOLTAGE	AMPS TOTAL
1	CONDENSING UNITS	120	
2	FAN	120	
1	DIGITAL TEMP CONTROL	120	
TOTAL ELECTRICAL REQUIRED WITHOUT OPTIONAL DRY SHELF IS 120/208 V, 60 Hz, 1 PH			20.
1	34" LED LIGHT (W/OPTIONAL DRY SHELF)	120	0.3
TOTAL ELECTRICAL REQUIRED WITH OPTIONAL DRY SHELF IS 120/208 V, 60 Hz, 1 PH			20.3

REFRIGERATION SPECS				
QTY	DESCRIPTION	BTU'S EA.	EVAP TEMP	REF. TYPE/OZ.
1	AIR OVER DISPLAY	5000	+20°	404A