

Refrigerated End Cap Merchandiser

RMR-EDCP-40, RMR-EDCP-48, RMR-EDCP-60

APPLICATIONS

- Self-service merchandiser for “ready to eat” products, drinks.
- Impulse sales
- Add ons
- Self Contained Forced air refrigeration
- Medium temperature (36°- 40°)

STANDARD FEATURES

CABINET CONSTRUCTION

- Base Cabinet and Counter Top consist of 3/4” plywood panels finished in high pressure plastic laminate
- Powder coated assembly, canopy, & Interior
- Lighted Canopy with LED fixtures
- Solid back panel
- Protective 1” vinyl bumper (Black)

SHELVING

- Three-tier style for displaying “ready to eat” products
- 1-1/4” Price tag molding on shelves

REFRIGERATION SYSTEM

- Self contained with standard control
- Drains to floor drain

ELECTRICAL REQUIREMENTS

- Pre-wired to 120V/208A plug, 60Hz, 1 phase circuit. (see reverse for details)

WARRANTY

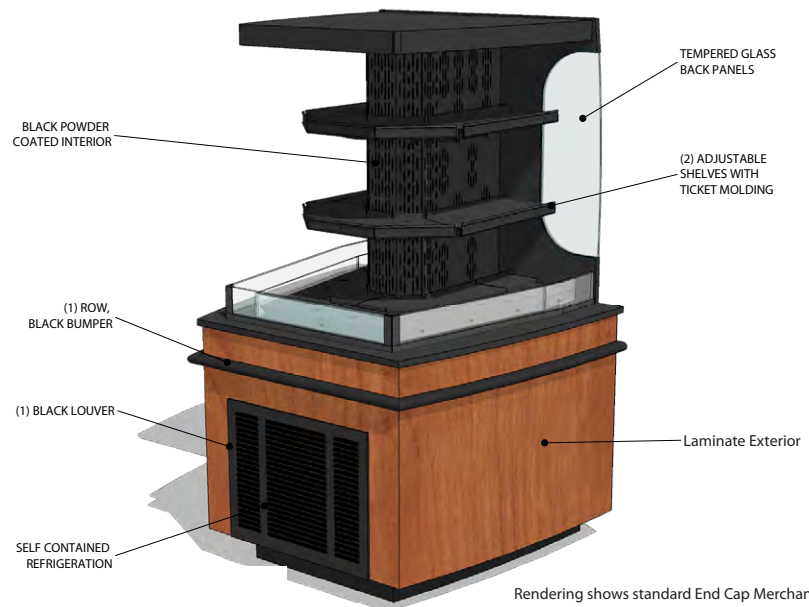
- One year - Parts and Labor

OPTIONS / ACCESSORIES

- Assorted colors available for laminate, vinyl bumper and powder coat.
- Stainless steel interior & canopy assembly
- Stainless or mirrored laminate accent strip between bumper and counter top
- Optional condensate removal devices available to eliminate need for plumbing.
- Remote refrigeration
- Base to be solid, adjustable legs or legs with removable toe-kick.
- Circuit Breaker Panel in lieu of junction box.
- Glass end panels
- LED shelf lights



End Cap Merchandiser with optional finishes and glass back panel.



Rendering shows standard End Cap Merchandiser customized with typical options

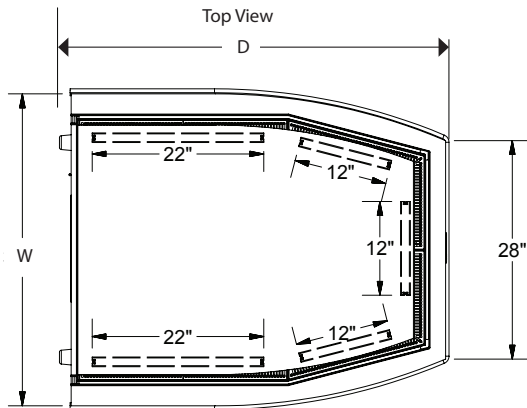
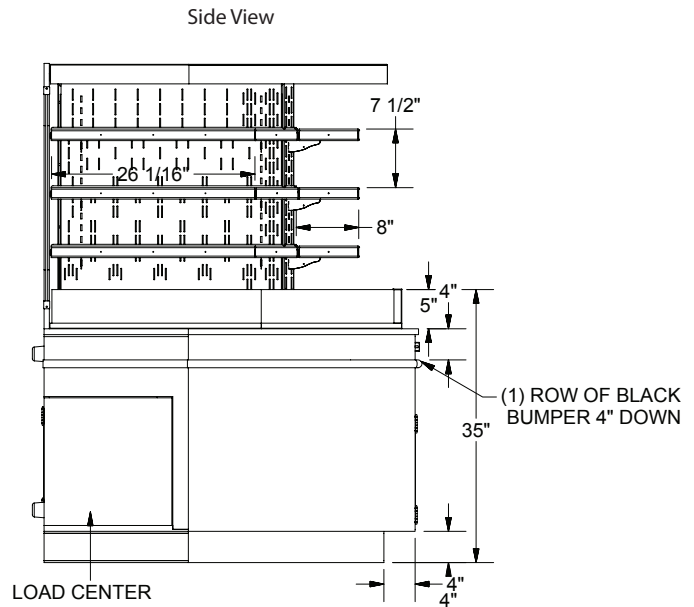
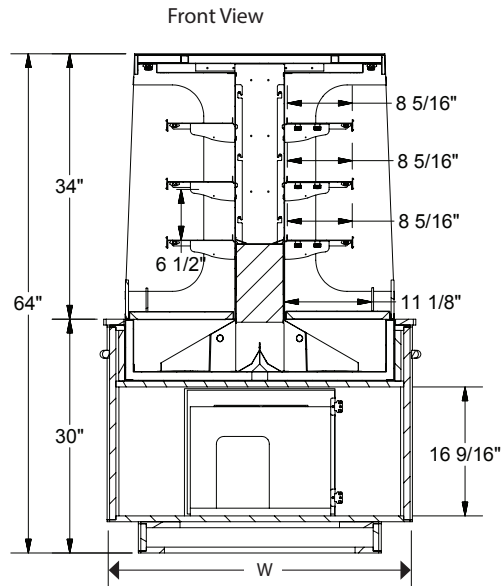
Engineered for stores with ambient conditions not to exceed 75°F and 55% relative humidity. Due to continuous improvements specifications may change without notice.

Built to meet the following specifications:



Refrigerated End Cap Merchandiser

RMR-EDCP-40, RMR-EDCP-48, RMR-EDCP-60



Refrigerated End Cap Merchandiser	Dimensions (inches)		
	W	D	H
40" x 40"	40	40	64
40" x 48"	40	48	64
40" x 60"	40	60	64

ELECTRICAL / REFRIGERATION SPECIFICATIONS - BASED ON 40" X 48" UNIT

ELECTRICAL REQUIREMENTS - ON 6' CORD NEMA 14-20F PLUG							
QTY	DESCRIPTION	MANUFACTURER	MODEL #	VOLTAGE	L-1 AMPS	L-2 AMPS	BREAKER RATING
5	CANOPY LED LIGHTS	ELECTRALED	2-2"; 1-1"	120		2	15A SINGLE
9	SHELF LED LIGHTS	ELECTRALED	6-2"; 3-1"			1	
2	FANS	EMBPAST	W1G200-EC95				15A SINGLE
1	CONDENSING UNIT	TECUMSEH	AJA7480	208	10.3		15A SINGLE
TOTAL AMPS PER LINE					10.3	3	
TOTAL ELECTRICAL REQUIRED IS 120/208 V, 60 Hz, 1 PH						10.3	AMP LOAD, 4 WIRES

REFRIGERATION SPECS						
QTY	DESCRIPTION	MANUFACTURER	MODEL #	BTU'S TOTAL	EVAP TEMP	REF. TYPE/OZ.
1	AIR OVER DISPLAY	R&D FIXTURES	N/A	8,000	+20°	404-A