

## APPLICATIONS

- Service refrigerated case for deli items
- Rear sliding doors and front lift door
- 36° - 38°

## STANDARD FEATURES

### CABINET CONSTRUCTION

- Unit built with steel frame and finished in high pressure laminated exterior panels.
- Removable Solid End Panels allow multiple units to be connected in an endless series.
- 1/4" thick tempered double bent curved glass with lift handle.
- Rear access clear sliding doors.
- Top to be 18 gauge stainless steel.
- Scale Stand with recessed electrical receptacle on rear of unit
- 2 rows of protective 1" vinyl bumpers.

### SHELVING

- Adjustable 1/4" thick tempered glass shelves and 18 gauge steel deck pans are easily removable.
- 3 standard shelves on all models + deck
- Deli riser shelving available
- Full height shelf support pilasters with slotted holes on 1" centers for vertical shelf adjustments.
- Brackets allow shelf to be adjusted to 3 different angles to increase visibility.
- LED lights illuminate shelf area below

### REFRIGERATION SYSTEM

- Remote refrigeration with blower coil and solenoid valve system (All wired to standard refrigeration control).
- Digital readout thermometer
- Supplied with 1" drain
- Energy saving Axial Fan.

### ELECTRICAL REQUIREMENTS

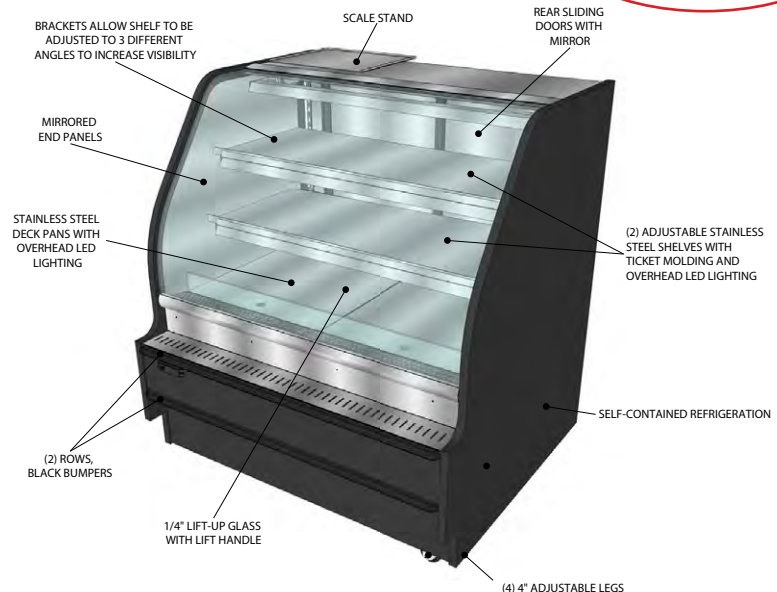
- Pre-wired and furnished with a junction box for use on a dedicated 120V, 60Hz, 1 phase circuit.

### WARRANTY

- One year - Parts and Labor



Front glass lifts for easy stocking and cleaning of display area



Engineered for stores with ambient conditions not to exceed 75°F and 55% relative humidity. Due to continuous improvements specifications may change without notice.

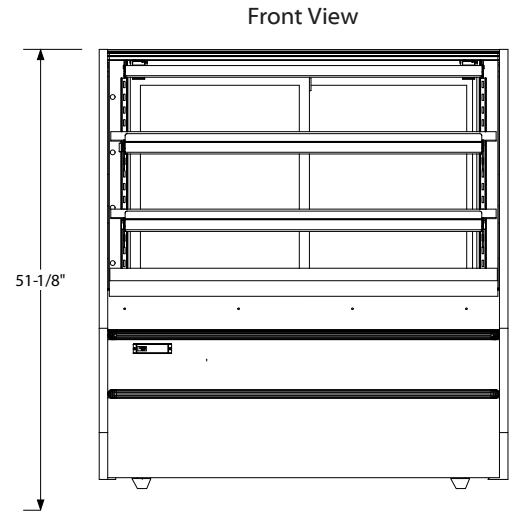
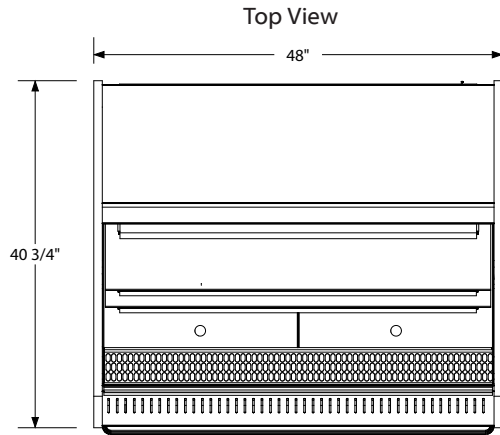
## OPTIONS / ACCESSORIES

- Powder coated interior and top.
- Mirrored Interior End Panels
- Assorted colors available for laminate, vinyl bumper and powder coat.
- Extra shelves.
- Wire or sheet metal shelves instead of glass.
- Rear access mirrored sliding doors.
- Front accent lighting.
- Product enhancing lights.
- Self-contained refrigeration.
- Optional condensate removal devices available to eliminate need for plumbing.
- Available for glycol systems.
- Cord set available instead of junction box.

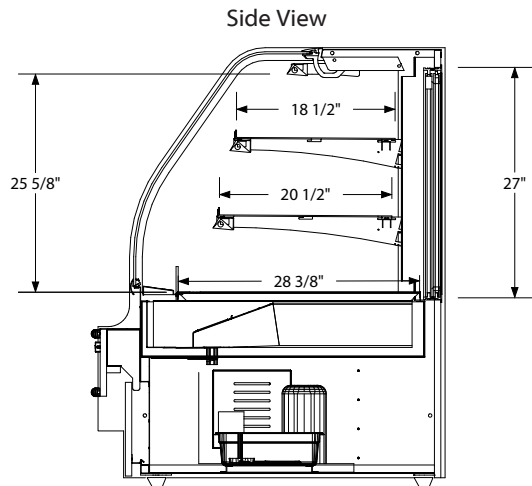
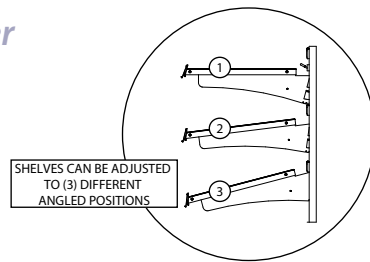
Built to meet the following specifications:



**LINE DRAWINGS BASED ON A 48" (L) MODEL**



*Optional Deli Riser Shelving replaces lower shelf*



Unit Width	Dimensions (inches)		
	W	D	H
48"	48	40 3/4	51 1/8
59"	59	40 3/4	51 1/8
77"	77	40 3/4	51 1/8

**ELECTRICAL/REFRIGERATION SPECIFICATIONS - (BASED ON A 48" UNIT)**

ELECTRICAL REQUIREMENTS - ON 6' CORD NEMA 14-20F PLUG						
QTY	DESCRIPTION	MANUFACTURER	MODEL #	VOLTAGE	AMPS EA	AMPS TOTAL
1	CONDENSING UNIT	TECUMSEH	AKA9422	120	10.5	10.5
1	DIGITAL TEMP CONTROL	DIXELL	XR20C	120	0.03	0.03
3	FANS	EBM PAPST	Z2600	120	0.24	0.48
3	3' LED LIGHTS	ELECTRALED	EFDS-3-3500	120	0.14	.42
TOTAL ELECTRICAL REQUIRED IS 120/208 V, 60 Hz, 1 PH						11.68

REFRIGERATION SPECS						
QTY	DESCRIPTION	MANUFACTURER	MODEL #	BTU'S EA.	EVAP TEMP	REF. TYPE/OZ.
1	AIR OVER DISPLAY	R&D FIXTURES	N/A	7200	+20°	404-A