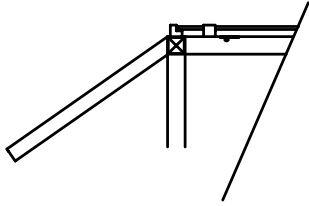


A.

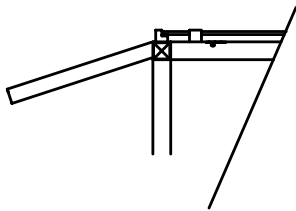


**Canopy with Lift-Up Glass 35°**

Standard: Solid Wood top  
 Option: Glass top



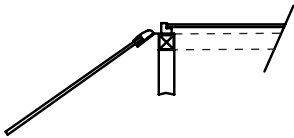
B.



**Canopy with Lift-up Glass 18°**

Provided as an Optional Feature  
 Standard: Solid Wood top  
 Option: Glass top

C.

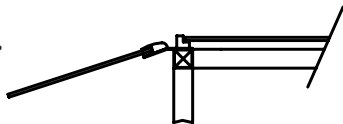


**Canopy with Fixed Glass 35°**

Standard: Solid wood top  
 Option: Glass top



D.

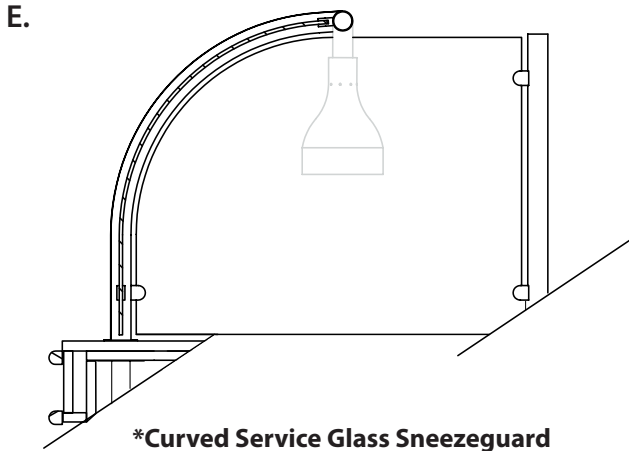


**Canopy with Fixed Glass 18°**

Standard: Solid wood top  
 Option: Glass top

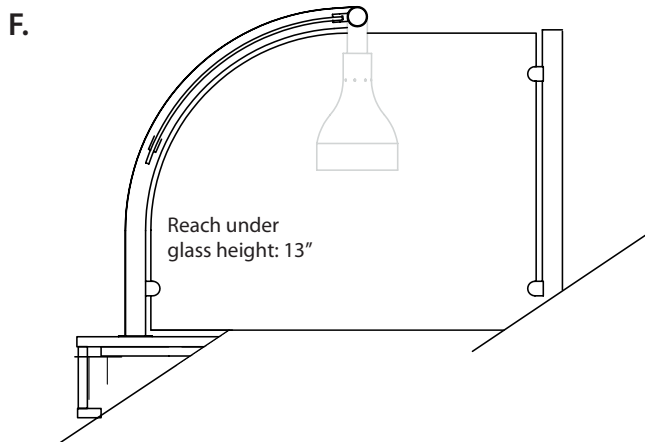
Built to meet the following specifications:





\*Requires under-counter supports (Section shows side/divider glass panel)

\*Requires 6-8 week lead time.

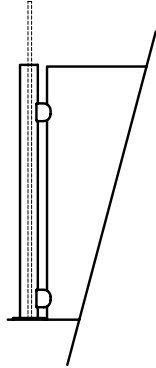


**\*Curved Self-Service Glass Sneezeguard**

\*Requires under-counter supports  
 (Section shows side/divider glass panel)

\*Requires 6-8 week lead time.

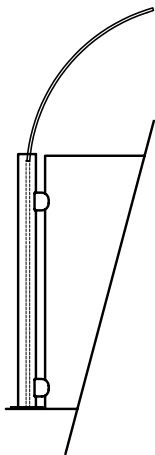
G.



**Straight Service Glass Sneezeguard**



H.



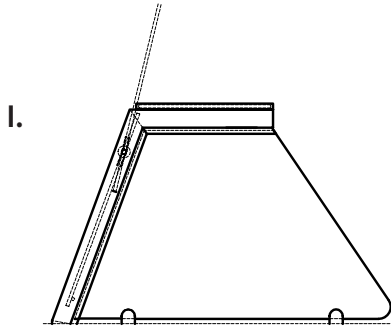
**\*Curved Service Glass Sneezeguard**

\*Requires 6-8 week lead time.



Built to meet the following specifications:

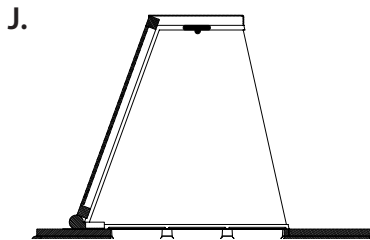




**Service with Shelf and Front Lift-Up Glass**

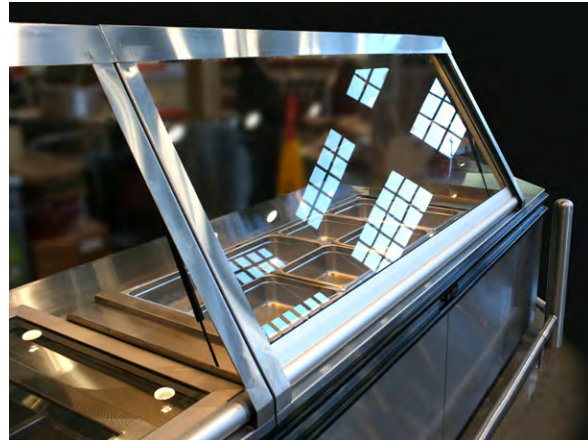
Standard: Lift-Up glass with (rotating) Caesar hinge

Option: Fixed glass front

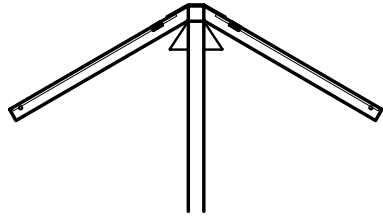


**Fold Down Sneeze Guard**

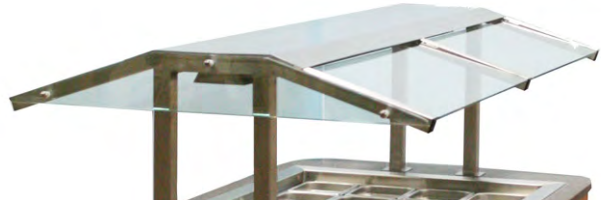
Serves as sneeze guard in "up" position and as insulated food pan cover in "down" position.



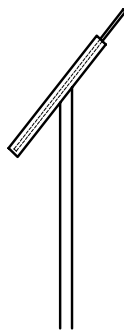
K.



**Small Island  
(Fixed Glass)**



L.



**Self-Service Kiosk**

Built to meet the following specifications:

