

APPLICATIONS

- Self-service bin display for bagels, rolls.

STANDARD FEATURES

CABINET CONSTRUCTION

- Front, end panels, and all edges to consist of 3/4" plywood panels finished in high pressure laminate.
- Deck to be laminated plywood
- Trash Chute, Tissue Holder and supply recesses in front decking
- 2 rows of protective 1" vinyl bumpers.
- 5-3/4" high toe-kick base.
- Designed to NEC, UL and NSF standards.

SHELVING

- Steel wire shelves are easily removeable
- Full height shelf support pilasters with slotted holes on 1" centers for vertical shelf adjustments.
- LED lights illuminate shelf area below and come with on/off switch
- 18"x20" acrylic bins have one moveable divider inside

ELECTRICAL REQUIREMENTS

- Unit is pre-wired and furnished with a junction box for use on a dedicated 120V, 60Hz, 1 phase circuit

WARRANTY

- One year - Parts

OPTIONS / ACCESSORIES

- Many colors available for laminate, and vinyl bumper and powder coat
- Stainless steel deck
- Stainless steel, or powder coated tissue & trash chute covers
- Alternate sizes and configurations
- Wire Baskets

2 Door Pastry Cases *Bagel Roll Case*

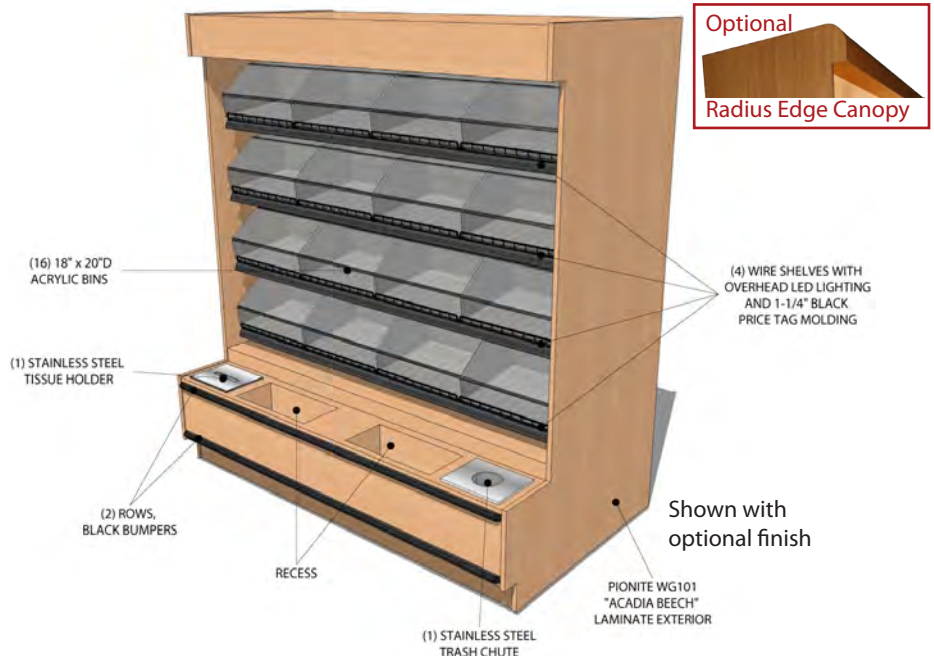


Bagel/Roll Case (right) in bakery line-up with matching 2 door Upright Pastry cases

Custom deck and recesses shown in photo above. See rendering below for standard configuration.

All cases shown with optional colors

Rendering based on 77" case

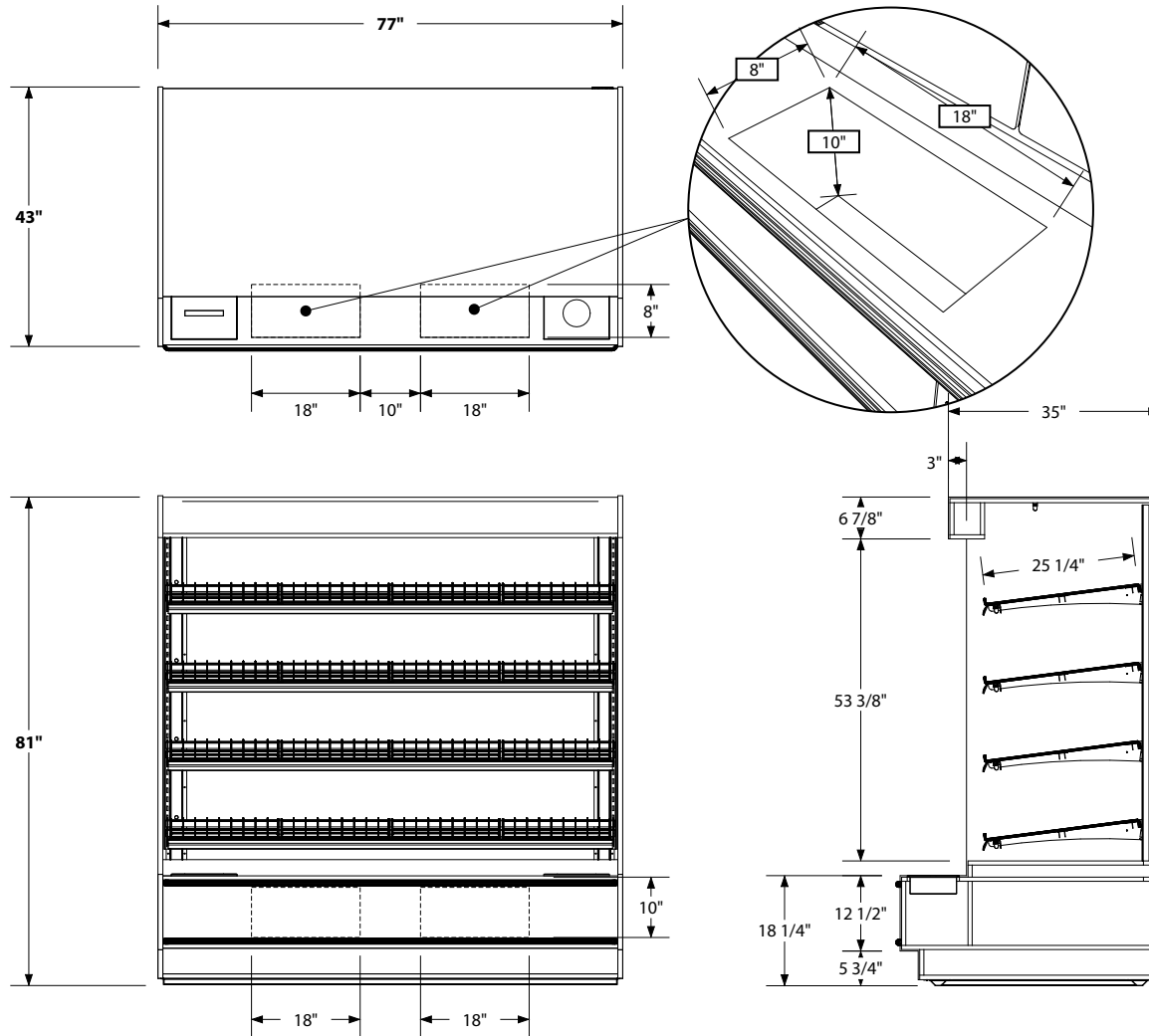


Engineered for stores with ambient conditions not to exceed 75°F and 55% relative humidity. Due to continuous improvements specifications may change without notice.

Built to meet the following specifications:



LINE DRAWINGS BASED ON 77" WIDE CASE



Bagel/Roll Case Width	Dimensions (inches)		
	W	D	H
40"	40	44	81
58"	58	44	81
77"	77	44	81
96"	96	44	81

Depth includes bumper

ELECTRICAL REQUIREMENTS PER 77" WIDE CASE

QTY.	DESCRIPTION	MANUFACTURER	MODEL #	VOLTAGE	AMPS EA	AMPS TOTAL
8	34" LED LIGHTS	ELECTRALED	EFDS-3-35-06-NM	120	0.14	1.12
TOTAL ELECTRICAL REQUIRED IS 120V, 60 Hz, 1 Ph WIRED TO JUNCTION BOX						1.12